



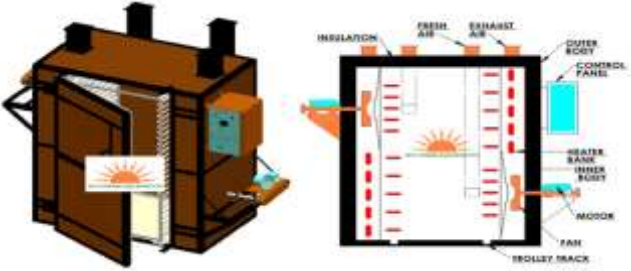



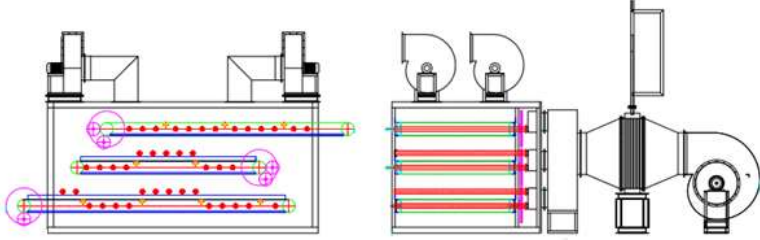

SUN FOOD EQUIPMENTS

GALA NO -06, RAJPRABHAR MOHAN BUIL. NO-1A, NAIKPADA ROAD NEXT TO GANESH MANDIR BEFOR TO MOHAN BHAGAT SCHOOL, NEAR SITARAM HARDWARE, LAND MARK- MAULI HOTEL, WALIV VASAI (EAST). PIN NO.401208. DIST-PALGHAR, MAHARASHTRA. INDIA. EMAIL ID – SUNFOODEQUIPMENTS@GMAIL.COM / SUNFOODSANDPHARMAEQUIPMENTS@GMAIL.COM, WEBSITE –WWW.SUNFOODEQUIPMENTS.COM, MOBILE NO – 93258428919, 9146273875.

A		COMPANY DETAILS	
1	Company Name	:	SUN FOOD EQUIPMENTS
2	Regd. Office	:	H. No. 262, Achole Gaon, Patil Ali, Near Hanuman Mandir, Nalasopara (East) Tal- Vasai, Dist. - Palghar, Pin - 401209. Maharashtra. INDIA. Mob No. 8308665243
3	Factory Address & Office Add.	:	Gala No. 06, Rajprabha Mohan, Building No. 01 A , Near Mauli Hotel , Naikpada Road. Before to Mohan Bhagat School & Next to Ganesh Mandir. Waliv Vasai (E). Pin No .401208. Dist – Palghar. Maharashtra, INDIA
4	Type of Establishment	:	Proprietorship
5	GST IN	:	27BFLPP0947N1ZR, w.e.f. 16/08/2018
B		BANK DETAILS	
1	Account Name	:	SUN FOOD EQUIPMENTS
2	Bank Name	:	BANK OF MAHARASHTRA
3	Branch & Address	:	MATRUCHHAYA-A, 1ST FLR, NALLASOPARA (WEST), PIN NO - 401203
4	Branch Code, MICR (9 Digit MICR No. of Bank & Branch)	:	400014094
5	Account Type	:	Current Account
6	Account No.	:	60305224474
7	Bank Link Mo. No.	:	+91 9325428919
8	IFSC/RTGS/NEFT Code Of The Branch	:	MAHB0000197
C		CONTACT US	
1	Name	:	RAMCHANDRA SHANKAR PATIL
2	Mob. No. & Whats App No.	:	+91 9146273875 , +919325428919
3	Email. I.D.	:	sunfoodequipments@gmail.com
4	Website	:	www.sunfoodequipments.com
D		BUSINESS	
Manufacturing, Designer & Supplier for		a	ROASTER – BATCH TYPE (10L TO 1000LTRS), CONTINUED ROASTER (100KG TO 1500KG/HR), DRIFRUIT, SPICES, PEANUTS, CHANA ROASTER, MAKHANA ROASTER, POHA ROASTER, PADDY ROASTER, MURMURA ROASTER,
		b	INDUSTRIAL OVENS - COOLING, HEATING & VACUUM
		c	INDUSTRIAL DRYERS – TRAY DRYER, CONVEYOR DRYER, TUNNEL, BIN, ROTARY, VIBROTORY, TUBE, VTD & PASTA DRYER ETC.,
		d	MIXING EQUIPMENTS – RIBBONE BLENDER, BLENDER CUM ROASTER, PLOUGH SHEAR MIXER, REACTOR VESSEL, SIGMA MIXER (KNEADER), STIRRERS, MELTER, EMULSIFIERS & DISPE.
		e	PHARMA EQUIPMENTS - GRANULATION LINE –FLUID BED DRYER, RAPID MIXER GRANULATOR, VIBRO SIFTER, OCTAGONAL BLENDER, DOUBLE CONE BLENDER, ROTO CONE VACCUME DRYER, COATING PAN, STARCH PASTE KETTLE, MULTI MILL, OINMENT PLANT ETC.
		f	LIQUID FILLING MACHINE -2,4,6,8,12 HEADS, PLC BASED(100ML TO 5 LTRS) FULLY AUTOMATIC) FILLING-CAPPING -SEALING
		g	POWDER FILLING MACHINES – SPICES ,FOODS, TALCUM, HING, BAKING & TONER POWDER,
		h	KITCHEN EQUIPMENTS - BAKARY, HOTELS, CANTEENS, RESTAURANTS, HOSPITALS, MALLS.
		i	ETP EQUIPMENTS – SURFACE FIX & FLOATING AREATORS

GAS -ROASTER	ELECTRIC -ROASTER	GAS –ROASTER-MURMURA
		




TRAY DRYER	VACUUM TRAY DRYER
	

CONVEYOR DECK DRYER	FLUID BED DRYER
	

RIBBON BLENDER	“V” BLENDER	DOUBLE CONE BLENDER
		

SIGMA MIXER	OCT. BLENDER	PLOW SHEAR MIXER
 <p>A green industrial mixer with a large mixing head and a long, curved mixing arm.</p>	 <p>A stainless steel octagonal blender with a hopper on top and a collection container at the bottom.</p>	 <p>A blue industrial mixer with a green base and various ports and valves.</p>

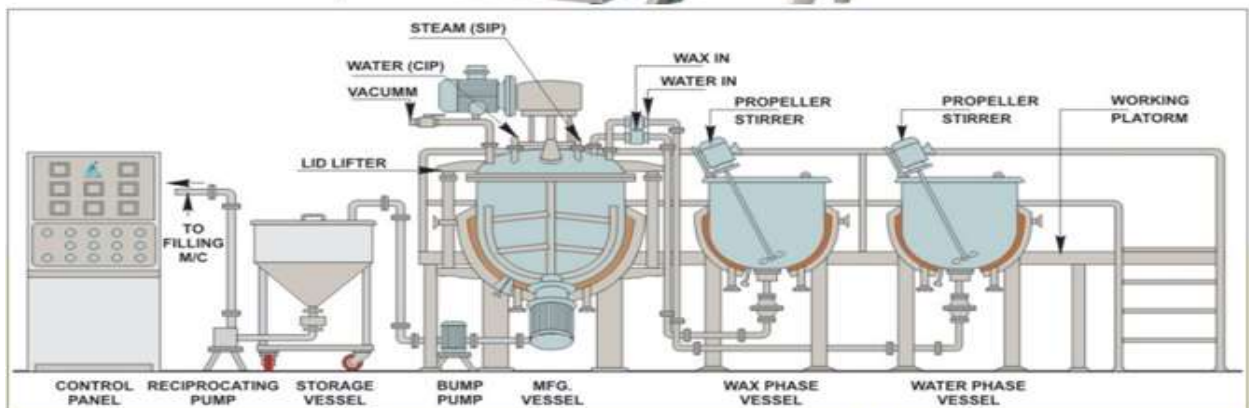
PRAPID PACK OR HIGH SHEAR MIXER (RMG)	ROTA CONE VACUUM DRYER (RCVD)	VIBRO SIFTER
 <p>A large stainless steel industrial mixer with a hopper and a collection container.</p>	 <p>A stainless steel vacuum dryer with a rotating cone and a collection container.</p>	 <p>A stainless steel vibratory sifter with a hopper and a collection container.</p>

COATING PAN	REACTOR VESSEL	MULTI MILL
 <p>A stainless steel coating pan with a large mixing head and a collection container.</p>	 <p>A stainless steel reactor vessel with a motor and a collection container.</p>	 <p>A stainless steel multi mill with a hopper and a collection container. Includes two inset images: one showing the mill's internal structure and another showing the mill's exterior.</p>

COINMENT PLANTS – CREAM



LIQUID PLANTS



SEMI AUTO LIQUID FILLING MACHINE (2 HEAD)



AUTO LIQUID FILLING MACHINE (4 HEAD)



CREAM FILLING MACHINE (2 HEAD)



SEMI AUTO AUGAR FILLING MACHINE



SEMI AUTO CAP SEALING MACHINE



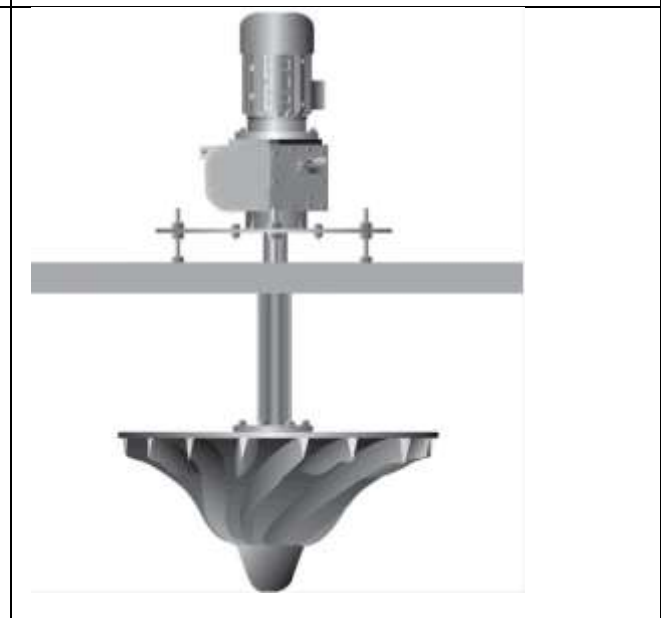
AUTO CAP SEALING MACHINE



SURFACE FLOATING AREATOR



FIX AREATOR



ROTARY OVEN	PIZZA OVEN-GAS	PIZZA OVEN-ELEC.	COOKING RAINGE
			

FRYER-GAS-ELECT.	SANDWICH GRILL	ELECTRIC KADAI	BAIN MARIE
			

Service Trolley



Masala Trolley



Single Sink with Table



Soiled Dish Table



Dining Table



Rack

